



# ICS307 Serially Programmable Clock Source

## Description


The ICS307-01 and ICS307-02 are versatile serially programmable clock sources which take up very little board space.

They can generate any frequency from 6 to 200 MHz, and have a second configurable output. The outputs can be reprogrammed on the fly, and will lock to a new frequency in 10 ms or less. Smooth transitions (in which the clock duty cycle remains roughly 50%) are guaranteed if the output divider is not changed.

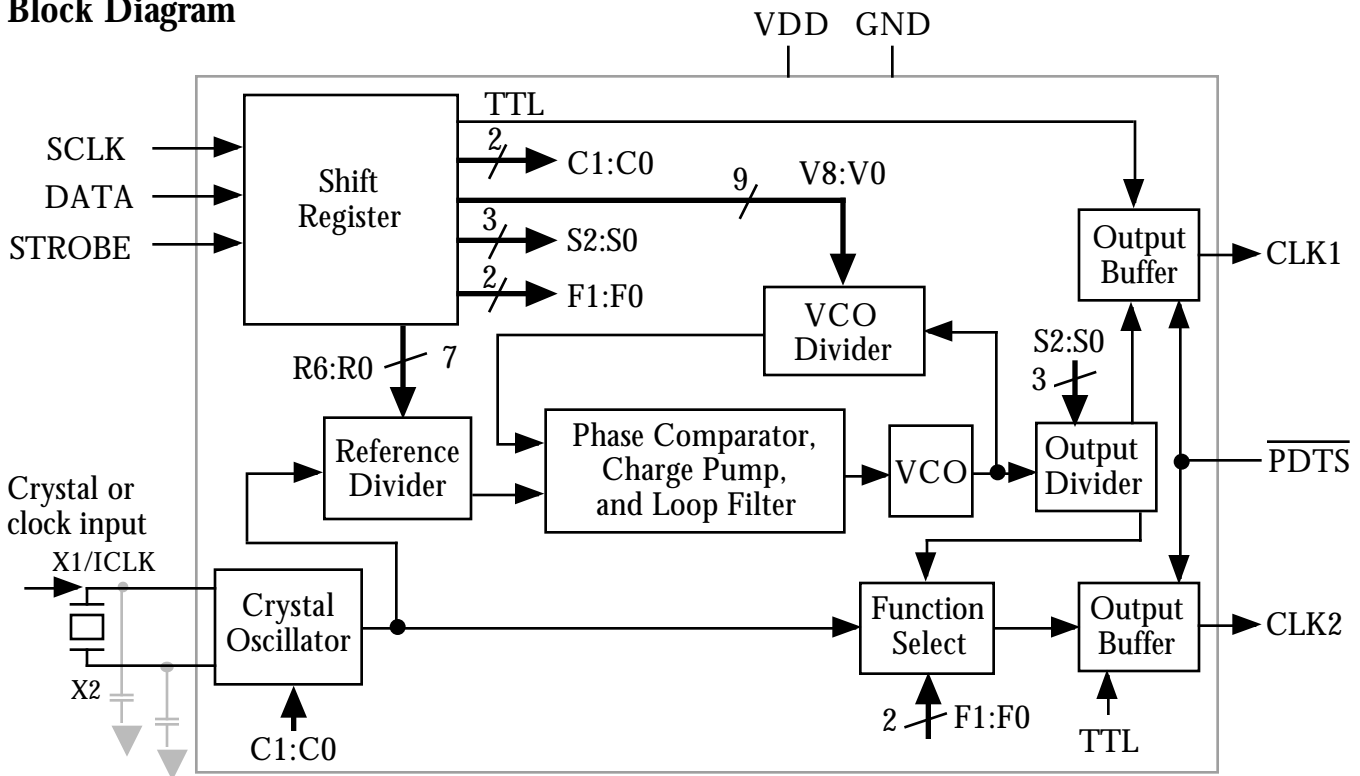
The devices include a  $\overline{\text{PDT S}}$  pin which tri-states the output clocks and powers down the entire chip.

The ICS307-02 features a default clock output at start-up and is recommended for all new designs.

## Features

- Packaged as 16 pin narrow SOIC 
- Highly accurate frequency generation
- Serially programmable: user determines the output frequency via a 3 wire interface.
- Eliminates need for custom quartz
- Input crystal frequency of 5 - 27 MHz
- Output clock frequencies up to 200 MHz
- Power Down Tri-State mode
- Very low jitter
- Operating voltages of 3.0 to 5.5 V
- 25 mA drive capability at TTL levels
- Industrial temperature available

## Block Diagram

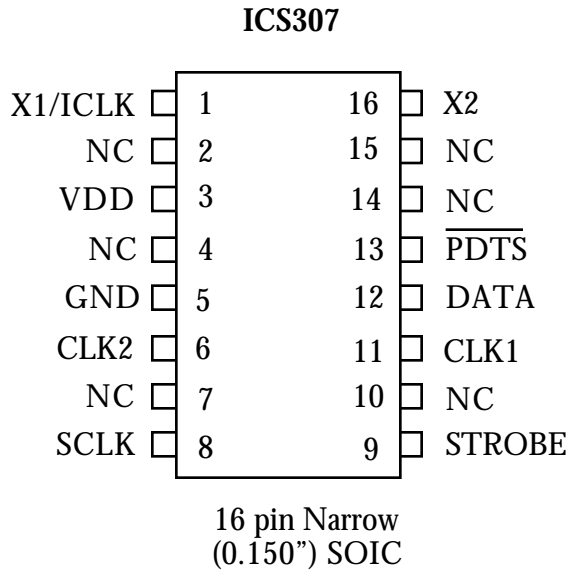




# ICS307

## Serially Programmable Clock Source

### Pin Assignment



### Pin Description

Number	Name	Type	Description
1	X1/ICLK	XI	Crystal connection (REF frequency). Connect to a parallel resonant crystal, or an input clock .
2	NC	-	No Connect.
3	VDD	P	Connect to +3.3V or +5V.
4	NC	-	No Connect.
5	GND	P	Connect to ground.
6	CLK2	O	Output clock 2, determined by F0-F1. Can be reference, ref/2, CLK1/2 or off.
7	NC	-	No Connect.
8	SCLK	I	Serial clock. See timing diagram.
9	STROBE	I	Strobe to load data. See timing diagram.
10	NC	-	No Connect.
11	CLK1	O	Output clock 1, determined by R0-R6, V0-V8, S0-S2 and input frequency.
12	DATA	I	Data Input. Serial input for three words which set the output clock(s).
13	$\overline{\text{PDT}}\text{S}$	I	Powers down entire chip, tri-states CLK1 and CLK2 outputs, when low. Internal pull-up.
14	NC	-	No Connect.
15	NC	-	No Connect.
16	X2	XO	Input crystal connection. Connect to a crystal, or leave unconnected for clock input.

Type: XI, XO=crystal connections, I = Input, O = output, P = power supply connection



# ICS307 Serially Programmable Clock Source

## Determining the Output Frequency

On power-up the ICS307-01 on-chip registers can have random values, so almost any frequency may be output from the part. CLK1 will always have some clock signal present, but CLK2 could possibly be OFF (low).

The ICS307-02 on-chip registers are initially configured to provide a x1 output clock on both the CLK1 and CLK2 outputs. The output frequency will be the same as the input clock or crystal. This is useful if the ICS307 will provide the initial system clock at power-up. Since this feature is an advantage in most systems, the ICS307-02 is recommended for new designs.

With programming, the user has full control in changing the desired output frequency to any value over the range shown in Table 1 on page 4. The output of the ICS307 can be determined by the following simple equation:

$$\text{CLK1 frequency} = \text{Input frequency} \cdot 2 \cdot \frac{(\text{VDW}+8)}{(\text{RDW}+2)(\text{OD})}$$

Where            VCO Divider Word (VDW) = 4 to 511 (0, 1, 2, 3 are not permitted)  
                    Reference Divider Word (RDW) = 1 to 127 (0 is not permitted)  
                    Output Divider = values on page 4

Also, the following operating ranges should be observed:

$$55 \text{ MHz} < \text{Input frequency} \cdot 2 \cdot \frac{(\text{VDW}+8)}{(\text{RDW}+2)} < 400 \text{ MHz}$$

Commercial temperature range.  
Industrial temperature limits are  
60 MHz to 360 MHz.

$$200 \text{ kHz} < \frac{\text{Input Frequency}}{(\text{RDW}+2)}$$

To determine the best combination of VCO, reference, and output dividers, contact ICS application engineering. You may also fax this page to ICS at 408 295 9818(fax). Be sure to indicate the following:

Your Name \_\_\_\_\_ Company Name \_\_\_\_\_ Telephone \_\_\_\_\_

Respond by e-mail (list your e-mail address) \_\_\_\_\_ or fax number \_\_\_\_\_

Desired input crystal \_\_\_\_\_ or clock \_\_\_\_\_ (in MHz) Desired output frequency \_\_\_\_\_

REF Output \_\_\_\_\_ VDD = 3.3V or 5V \_\_\_\_\_ Duty Cycle: 40-60% \_\_\_\_\_ or 45-55% required \_\_\_\_\_



# ICS307

## Serially Programmable Clock Source

### Setting the Device Characteristics

The tables below show the settings which can be configured, in addition to the VCO and Reference dividers.

**Table 1. Output Divide and Maximum Output Frequency**

S2	S1	S0	CLK1 Output Divide	Maximum Frequency 5 V or 3.3 V	Max. Freq. Industrial Version
0	0	0	10	40	36
0	0	1	2	200	180
0	1	0	8	50	45
0	1	1	4	100	90
1	0	0	5	80	72
1	0	1	7	55	50
1	1	0	3	135	120
1	1	1	6	67	60

**Table 2. CLK2 Output**

F1	F0	CLK2
0	0	REF
0	1	REF/2
1	0	OFF (Low)
1	1	CLK1/2

0 = Connect directly to ground  
1 = Connect directly to VDD

**Table 3. Output Duty Cycle Configuration**

TTL	Duty cycle measured at	Recommended VDD
0	1.4V	5 V
1	VDD/2	3.3 V

Note: The TTL bit optimizes the duty cycle at different VDD. When VDD is 5 V, set to 0 for a near-50% duty cycle with TTL levels. When VDD is 3.3 V, set this bit to a 1, so the 50% duty cycle is achieved at VDD/2.

**Table 4. Crystal Load Capacitance**

C1	C0	VDD = 5 V	VDD = 3.3 V
0	0	22.3 - 0.083 f	22.1 - 0.094 f
0	1	23.1 - 0.093 f	22.9 - 0.108 f
1	0	23.7 - 0.106 f	23.5 - 0.120 f
1	1	24.4 - 0.120 f	24.2 - 0.135 f

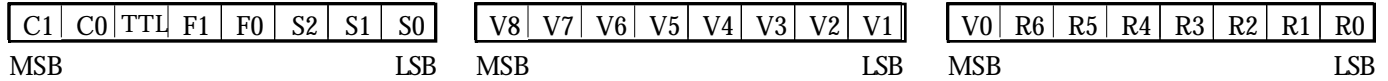
Note: f is the crystal frequency, between 10 and 27 MHz. Effective load capacitance will be higher for crystal frequencies lower than 10 MHz. If a clock input is used, set C1 = 0 and C0 = 0.



# ICS307 Serially Programmable Clock Source

## Configuring the ICS307

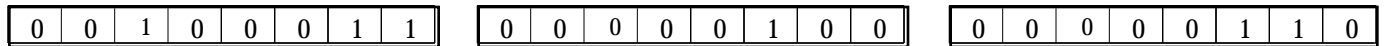
The ICS307 can be programmed to set the output functions and frequencies. The three data bytes are written to the DATA pin, in this order:



C1 is loaded into the port first and R0 last.

- R6:R0 Reference Divider Word (RDW)
- V8:V0 VCO Divider Word (VDW)
- S2:S0 Output Divider Select (OD)
- F1:F0 Function of CLK2 Output
- TTL Duty Cycle Setting
- C1:C0 Internal Load Capacitance for Crystal

## Power up default values for ICS 307-02



The input frequency will come from both outputs.

## Programming Example

To generate 66.66 MHz from a 14.31818 MHz input, the RDW should be 59, the VDW should be 276, and the Output Divide is 2. Selecting the minimum internal load capacitance, CMOS duty cycle, and CLK2 to be OFF means that the following three bytes are sent to the ICS307:

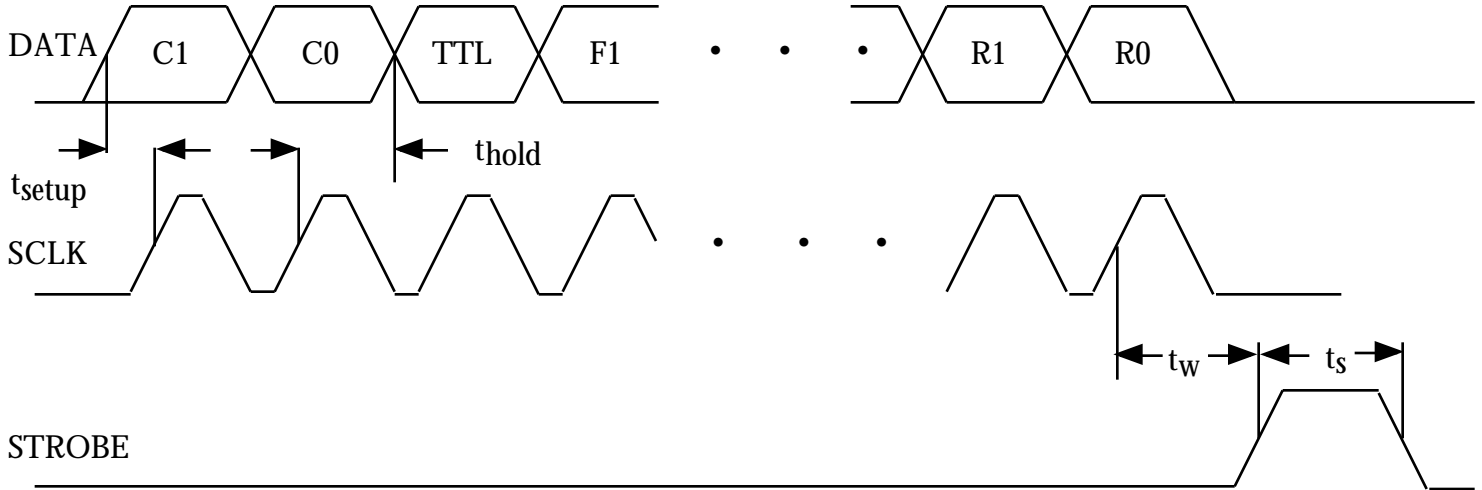
00110001  
Byte 1

10001010  
Byte 2

00111011  
Byte 3

As shown in Figure 2, after these 24 bits are clocked into the ICS307, taking STROBE high will send this data to the internal latch, and the CLK output will lock within 10 ms.

NOTE: If STROBE is in the high state and SCLK is pulsed, DATA is clocked directly to the internal latch and the output conditions will change accordingly. Although this will not damage the ICS307, it is recommended that STROBE be kept low while DATA is being clocked into the ICS307 in order to avoid unintended changes on the output clocks.



**Figure 2. Timing Diagram for Programming the ICS307**

### AC Parameters for Writing to the ICS307

Parameter	Condition	Min	Max	Units
$t_{SETUP}$	Setup time.	10		ns
$t_{HOLD}$	Hold time after SCLK.	10		ns
$t_w$	Data wait time.	10		ns
$t_s$	Strobe pulse width	40		ns

### External Components / Crystal Selection

The ICS307 require a 0.01 $\mu$ F decoupling capacitor to be connected between VDD and GND. It must be connected close to the ICS307 to minimize lead inductance. A 33  $\Omega$  terminating resistor can be used in series with the CLK1 and CLK2 outputs. A parallel resonant, fundamental mode crystal with a load (correlation) capacitance of C should be used, where C is the value calculated from Table 4. For crystals with a specified load capacitance greater than C, additional crystal capacitors may be connected from each of the pins X1 and X2 to Ground as shown in the Block Diagram on page 1. The value (in pF) of these crystal caps should be =  $(C_L - C) * 2$ , where  $C_L$  is the crystal load capacitance in pF. These external capacitors are only required for applications where the exact frequency is critical. For a clock input, connect to X1 and leave X2 unconnected (no capacitors on either pin).



# ICS307

## Serially Programmable Clock Source

### Electrical Specifications

Parameter	Conditions	Minimum	Typical	Maximum	Units
<b>ABSOLUTE MAXIMUM RATINGS (Note 1)</b>					
Supply Voltage, VDD	Referenced to GND			7	V
Inputs	Referenced to GND	-0.5		VDD+0.5	V
Clock Output	Referenced to GND	-0.5		VDD+0.5	V
Ambient Operating Temperature		0		70	°C
Ambient Operating Temperature, Industrial	I version	-40		85	°C
Soldering Temperature	Max of 10 seconds			260	°C
Storage temperature		-65		150	°C
<b>DC CHARACTERISTICS (VDD = 5.0 V unless otherwise noted)</b>					
Operating Voltage, VDD		3		5.5	V
Input High Voltage, VIH, X1/ICLK only	ICLK (Pin 1)	(VDD/2)+1	VDD/2		V
Input Low Voltage, VIL, X1/ICLK only	ICLK (Pin 1)		VDD/2	(VDD/2)-1	V
Input High Voltage, VIH		2			V
Input Low Voltage, VIL	PDTS, ICS307-01 only			0.4	V
	All other inputs, -01 & -02			0.8	
Output High Voltage, VOH, CMOS level	IOH=-4 mA	VDD-0.4			V
Output High Voltage, VOH	IOH=-25 mA	2.4			V
Output Low Voltage, VOL	IOL=25 mA			0.4	V
IDD Operating Supply Current, 20 MHz crystal	No Load, 100 MHz out		26		mA
	100MHz out, VDD=3.3V		13		mA
Short Circuit Current	CLK1 and CLK2 outputs		±70		mA
On-Chip Pull-up Resistor	Pin 13		270		k
Input Capacitance			4		pF
<b>AC CHARACTERISTICS</b>					
Input Frequency, crystal input (must be fundamental)		5		27	MHz
Input Frequency, clock input		2		50	MHz
Output Frequency (See Table 1)	VDD = 3.0 to 5.5V	6		200	MHz
Output Frequency (see Table 1), I version	VDD = 3.0 to 5.5V	6		180	MHz
Output Clock Rise Time	0.8 to 2.0V		1		ns
Output Clock Fall Time	2.0 to 0.8V		1		ns
Output Clock Duty Cycle, even output divides	At duty cycle level	45	49 to 51	55	%
Output Clock Duty Cycle, odd output divides	At duty cycle level	40		60	%
Power-up time, STROBE goes high until CLK out			3	10	ms
Absolute Maximum Clock Period Jitter	Deviation from mean		±120		ps
One Sigma Clock Period Jitter			50		ps

**Notes:**

1. Stresses beyond those listed under Absolute Maximum Ratings could cause permanent damage to the device. Prolonged exposure to levels above the operating limits but below the Absolute Maximums may affect device reliability.
2. Typical values are at 25°C.



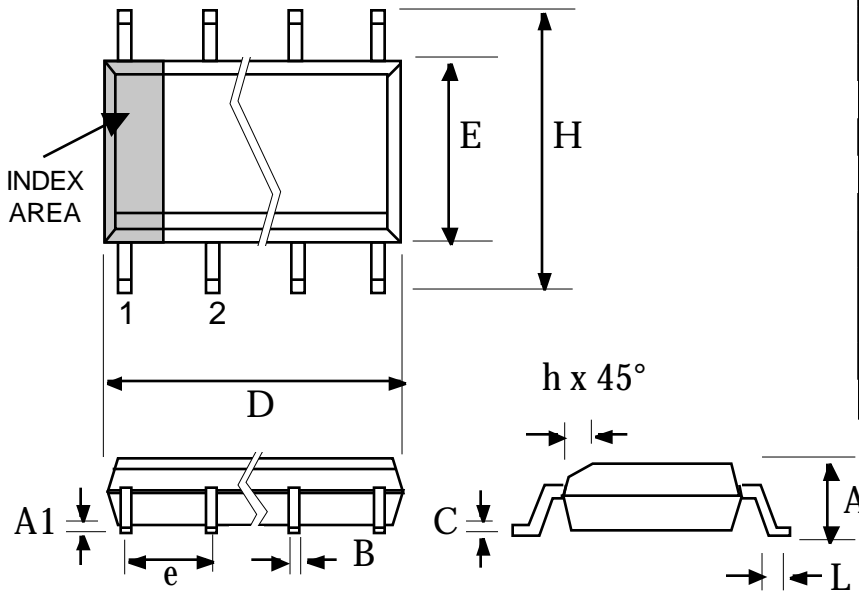
# ICS307

## Serially Programmable Clock Source

### Package Outline and Package Dimensions

(For current dimensional specifications, see JEDEC Publication No. 95.)

#### 16 pin SOIC narrow



Symbol	Inches		Millimeters	
	Min	Max	Min	Max
A	0.0532	0.0688	1.35	1.75
A1	0.0040	0.0098	0.10	0.24
B	0.0130	0.0200	0.33	0.51
C	0.0075	0.0098	0.19	0.24
D	0.3859	0.3937	9.80	10.00
E	0.1497	0.1574	3.80	4.00
e	.050 BSC		1.27 BSC	
H	0.2284	0.2440	5.80	6.20
h	0.0099	0.0195	0.25	0.50
L	0.0160	0.0500	0.41	1.27

### Ordering Information

Part/Order Number	Marking	Package	Temperature
ICS307M-01	ICS307M-01	16 pin SOIC	0 to 70 °C
ICS307M-01T	ICS307M-01	16 pin SOIC on tape and reel	0 to 70 °C
ICS307M-01I	ICS307M-01I	16 pin SOIC	-40 to 85 °C
ICS307M-01IT	ICS307M-01I	16 pin SOIC on tape and reel	-40 to 85 °C
ICS307M-02	ICS307M-02	16 pin SOIC	0 to 70 °C
ICS307M-02T	ICS307M-02	16 pin SOIC on tape and reel	0 to 70 °C
ICS307M-02I	ICS307M-02I	16 pin SOIC	-40 to 85 °C
ICS307M-02IT	ICS307M-02I	16 pin SOIC on tape and reel	-40 to 85 °C

While the information presented herein has been checked for both accuracy and reliability, Integrated Circuit Systems, Inc. (ICS) assumes no responsibility for either its use or for the infringement of any patents or other rights of third parties, which would result from its use. No other circuits, patents, or licenses are implied. This product is intended for use in normal commercial applications. Any other applications such as those requiring extended temperature range, high reliability, or other extraordinary environmental requirements are not recommended without additional processing by ICS. ICS reserves the right to change any circuitry or specifications without notice. ICS does not authorize or warrant any ICS product for use in life support devices or critical medical instruments.